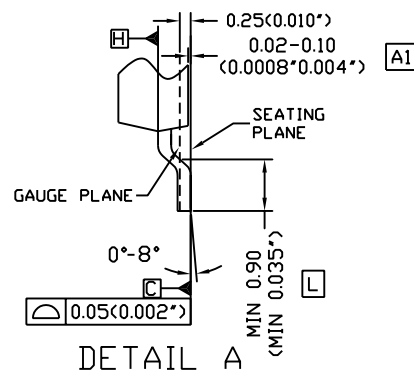
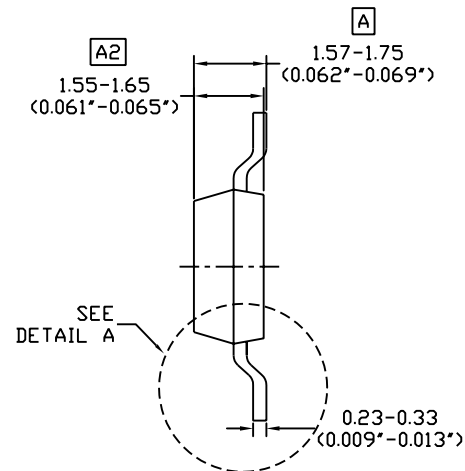
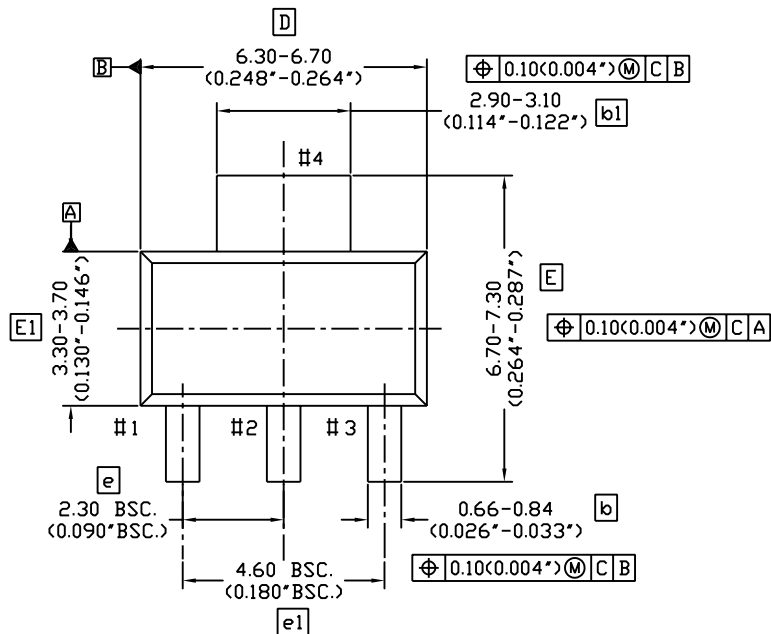



REV	DESCRIPTION	DATE
A	ORIGINAL RELEASE	JUL. 10'00.



Note :

1. DIMENSION ARE IN MILLIMETERS
2. DIMENSIONS D AND E1 ARE DETERMINED AT THE OUTERMOST EXTREMES OF THE PLASTIC BODY EXCLUSIVE OF MOLD FLASH, TIE BAR BURRS, GATE BURRS, AND INTERLEAD FLASH, BUT INCLUDING ANY MISMATCH BETWEEN THE TOP AND BOTTOM OF THE PLASTIC BODY.
3. DATUMS A AND B ARE TO BE DETERMINED AT DATUM H.
4. CONTROLLING DIMENSION IS MILLIMETER. CONVERTED INCH DIMENSION ARE NOT NECESSARILY EXACT

	DRAWN BY: PICHEST	TITLE: SOT-223 PACKAGE OUTLINE DRAWING		
	CHECKED BY: THANAPONG			
	APPROVED BY: TOM	DATE : FEB 26'01	REF. NO. : JEDEC: TD-261 "AA"	SCALE : NTS
	APPROVED BY: VIRAT	DWG. NO. W004PO - 01	REV. B	SHEET 1 OF 1