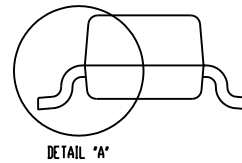
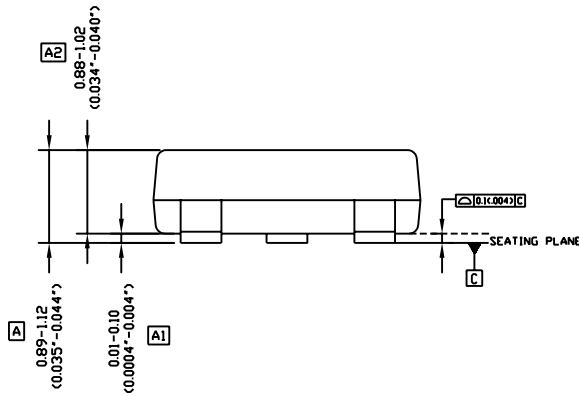
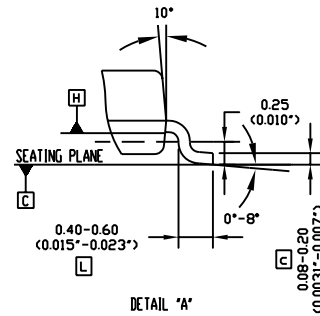
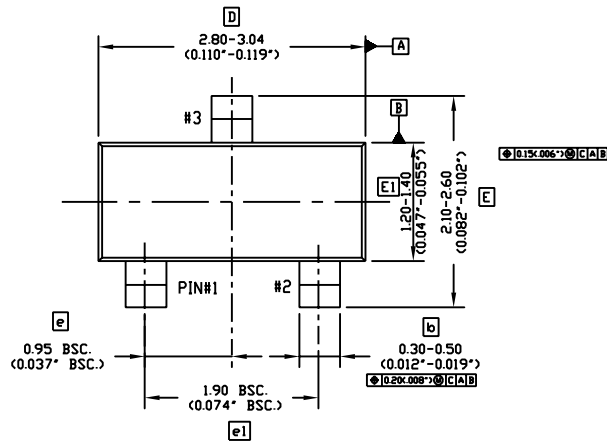


REV	DESCRIPTION	DATE
C	ORIGINAL ISSUE	AUG. 10,99.



NOTE :

1. CONTROLLING DIMENSION : MILLIMETER. CONVERTED INCH DIMENSION ARE NOT NECESSARILY EXACT.
2. DIMENSIONING AND TOLERANCING PER ASME Y14.5M 1994.
3. DIMENSION 'D' DOES NOT INCLUDE MOLD FLASH, PROTRUSIONS OR GATE BURR. MOLD FLASH, PROTRUSIONS OR GATE BURRS SHALL NOT EXCEED 0.25 MM.(0.01") PER SIDE.
4. DIMENSION 'E1' DOES NOT INCLUDE INTERLEAD FLASH OR PROTRUSION. INTERLEAD FLASH OR PROTRUSION SHALL NOT EXCEED 0.25 MM.(0.01") PER SIDE.
5. TOP PACKAGE MAY BE SMALLER THAN THE BOTTOM PACKAGE. DIMENSION D AND E1 ARE DETERMINE AT THE OUTERMOST EXTREMES OF THE PLASTIC BODY EXCLUSIVE OF MOLD FLASH, GATE BURRS AND INTERLEAD FLASH.
6. TERMINAL NUMBERS ARE SHOWN FOR REFERENCE ONLY.



DRAWN BY:  
 PICHEST  
 CHECKED BY:  
 NATAPORN  
 APPROVED BY:  
 THANAPONG  
 APPROVED BY:  
 VIRAT

TITLE:  
 3 LEADS SOT-23 PACKAGE OUTLINE DRAWING.

DATE : FEB 14'01 REF. NO. : JEDEC TO-236"AB" SCALE : NOT TO SCALE  
 DWG. NO. W003PO-01 REV. C SHEET 1 OF 1