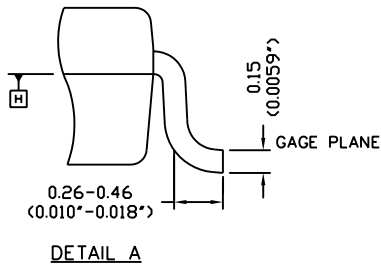
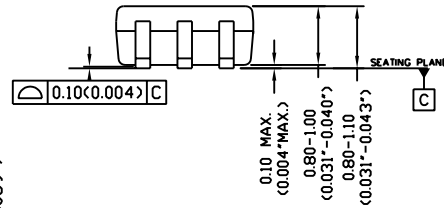
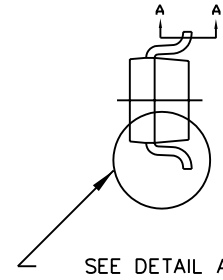
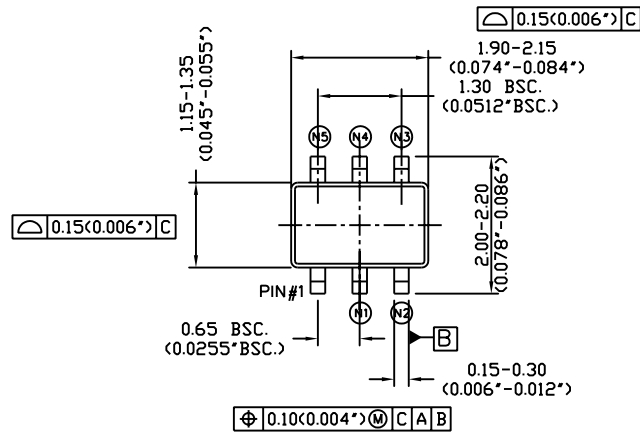


REV	DESCRIPTION	DATE
A	-INITIAL RELEASE	DEC 1, 1998.
B	-ADD NOTES	FEB. 24, 1999.
C	-REVISE NOTES. -CHANGE TO NEW DWG. FORMAT -REVISE TO NEW DWG. No. ASSIGNMENT. -ADD LEAD OPTIONS FROM 3 LEADS TO 6 LEADS. -CHANGE TITLE. -CHANGE DRAFT ANGLE FROM 7° TO 5°	JUL. 23, 1999.
D	-INSERT DIMENSION INCH	SEP 01'00



NOTE :

1. CONTROLLING DIMENSION : MILLIMETER. CONVERTED INCH DIMENSION ARE NOT NECESSARILY EXACT.
2. DIMENSIONING AND TOLERANCING PER ANSI Y14.5M-1994.



DRAWN BY:
 PICHEST
 CHECKED BY:
 THANAPONG
 APPROVED BY:
 TOM
 APPROVED BY:
 VIRAT

TITLE: SC-70 PACKAGE OUTLINE DRAWING
 3 LEADS TO 6 LEADS PACKAGE
 DATE : OCT 09'00 REF. NO. : JEDEC MO - 203 SCALE : NOT TO SCALE
 DWG. NO. D006PO-01 REV. D SHEET 1 OF 1